



Sunlight Readable Display

Datasheet Collection

www.aristaipc.com



Contents

Industrial Displays

Sunlight Readable Display

ADM-1810AP-VHB	03
ADM-1812AP-VHB	05
ADM-1815AP-VHB	07
ADM-1817AP-VHB	10
ADM-1818AP-VHB	13
ADM-1819AP-VHB	15
ADM-1821AP-VHB	18
ADM-1824AP-VHB	20
ADM-1917AP-VHB	22
ADM-1919AP-VHB	24
ADM-1921AP-VHB	26
ADM-2115AP-VHB	28
ADM-2119AP-VHB	30
ADM-2121AP-VHB	32
ADM-2124AP-VHB	34



ADM-1810AP-VHB

Panel Mount 10.4-inch 1000 nits Very High Bright Sunlight Readable LCD Display Monitor

Features

- 10.4-inch LCD Display, 800 x 600 resolutions
- 1000 nits Very High Bright Sunlight Readable
- 5-Wire Resistive Touch Screen or Tempered Glass
- RS-232, USB Touch Interface
- Powder Coated Aluminum or Stainless-Steel Bezel
- Bezel meets IP65 / NEMA 4X requirements
- VGA, DVI Input
- 24VDC Operating Voltage option

Specifications

Model Name	ADM-1810AP-VHB
LCD Display	
Display Size (Diagonal)	10.4"
Max Resolution	800 x 600
Backlight Lifetime (Hours)	50,000 hours
Visual Characteristics	
Colors	16.2 million
Aspect Ratio	4:3
Viewing Angle (V/H)	140° / 170°
Contrast Ratio	700:1
Brightness	1000 nits
Input Interface	
VGA	Yes
DVI	Yes
HDMI	N/A
Display Port	N/A
CVBS	N/A
YPbPr	N/A
Touchscreen	
Technology	5-Wire Resistive
Interface	RS-232, USB
Driver	WinXP, Win 7, Win10
Front Bezel	
NEMA 4	Black Powder Coated
NEMA 4X	Stainless Steel (Optional)
Power/Thermal Specs	
Power Requirement (Max)	18W
Power Consumption (Max)	--
Recommended Power Supply	--
Heat Dissipation	--
Physical Information	
Mounting	Panel Mount
Net Weight	7.0 lbs / 3 kg
Dimension (W x H x D)	11.50 x 8.80 x 2.10 inch 292.1 x 223.5 x 53.3 mm
Recommended Cutout Dimension (WxH)	10.75 x 8.10 inch 273.1 x 205.7 mm
Environmental	
Operating Temperature	0~35°C (32~95°F)
Storage Temperature	-20~60°C (-4~140°F)
Humidity	5%~95% (non-condensing)
Rating	Bezel Meets NEMA 4 / NEMA 4X requirements
Certification	N/A

Ordering Information

Item	ADM-1810AP-000-VHB	ADM-1810AP-001-VHB
LCD Display	VHB 10.4" / 800 x 600	VHB 10.4" / 800 x 600
Touch Screen	5-Wire Resistive	5-Wire Resistive
Mounting	Panel Mount	Panel Mount
Bezel	Black	Black
Power Supply	24VDC Input	12VDC Power Adaptor

Item	ADM-1810AP-004-VHB	ADM-1810AP-005-VHB
LCD Display	VHB 10.4" / 800 x 600	VHB 10.4" / 800 x 600
Touch Screen	5-Wire Resistive	5-Wire Resistive
Mounting	Panel Mount	Panel Mount
Bezel	Stainless Steel	Stainless Steel
Power Supply	24VDC Input	12VDC Power Adaptor

Item	ADM-1810AP-Z00-VHB	ADM-1810AP-Z01-VHB
LCD Display	VHB 10.4" / 800 x 600	VHB 10.4" / 800 x 600
Touch Screen	No Touch	No Touch
Mounting	Panel Mount	Panel Mount
Bezel	Black	Black
Power Supply	24VDC Input	12VDC Power Adaptor

Item	ADM-1810AP-Z04-VHB	ADM-1810AP-Z05-VHB
LCD Display	VHB 10.4" / 800 x 600	VHB 10.4" / 800 x 600
Touch Screen	No Touch	No Touch
Mounting	Panel Mount	Panel Mount
Bezel	Stainless Steel	Stainless Steel
Power Supply	24VDC Input	12VDC Power Adaptor



ADM-1812AP-VHB

Panel Mount 12.1-inch 1000 nits Very High Bright Sunlight Readable LCD Display Monitor

Features

- 12.1-inch LCD Display, 1024 x 768 resolutions
- 1000 nits Very High Bright Sunlight Readable
- 5-Wire Resistive Touch Screen or Tempered Glass
- RS-232, USB Touch Interface
- Powder Coated Aluminum or Stainless-Steel Bezel
- Bezel meets IP65 / NEMA 4X requirements
- VGA, DVI Input
- 24VDC Operating Voltage option

Specifications

Model Name	ADM-1812AP-VHB
LCD Display	
Display Size (Diagonal)	12.1"
Max Resolution	1024 x 768 *See Ordering Information for details
Backlight Lifetime (Hours)	50,000 hours
Visual Characteristics	
Colors	16.2 million
Aspect Ratio	4:3
Viewing Angle (V/H)	140° / 160°
Contrast Ratio	700:1
Brightness	1000 nits
Input Interface	
VGA	Yes
DVI	Yes
HDMI	N/A
Display Port	N/A
CVBS	N/A
YPbPr	N/A
Touchscreen	
Technology	5-Wire Resistive
Interface	RS-232, USB
Driver	WinXP, Win 7, Win10
Front Bezel	
NEMA 4	Black Powder Coated
NEMA 4X	Stainless Steel (Optional)
Power/Thermal Specs	
Power Requirement (Max)	--
Power Consumption (Max)	--
Recommended Power Supply	--
Heat Dissipation	--
Physical Information	
Mounting	Panel Mount
Net Weight	8.8 lbs / 4 kg
Dimension (W x H x D)	12.60 x 10.03 x 2.06 inch 320.0 x 254.8 x 52.4 mm
Recommended Cutout Dimension (WxH)	11.96 x 9.38 inch 303.8 x 238.3 mm
Environmental	
Operating Temperature	0~35°C (32~95°F)
Storage Temperature	-20~60°C (-4~140°F)
Humidity	5% to 95% (non-condensing)
Rating	Bezel Meets NEMA 4 / NEMA 4X requirements
Certification	N/A

Ordering Information

Item	ADM-1812AP-A01-000-VHB	ADM-1812AP-A01-001-VHB
LCD Display	VHB 12.1" / 1024 x 768	VHB 12.1" / 1024 x 768
Touch Screen	5-Wire Resistive	5-Wire Resistive
Mounting	Panel Mount	Panel Mount
Bezel	Black	Black
Power Supply	24VDC Input	12VDC Power Adaptor

Item	ADM-1812AP-A01-004-VHB	ADM-1812AP-A01-005-VHB
LCD Display	VHB 12.1" / 1024 x 768	VHB 12.1" / 1024 x 768
Touch Screen	5-Wire Resistive	5-Wire Resistive
Mounting	Panel Mount	Panel Mount
Bezel	Stainless Steel	Stainless Steel
Power Supply	24VDC Input	12VDC Power Adaptor

Item	ADM-1812AP-A01-Z00-VHB	ADM-1812AP-A01-Z01-VHB
LCD Display	VHB 12.1" / 1024 x 768	VHB 12.1" / 1024 x 768
Touch Screen	No Touch	No Touch
Mounting	Panel Mount	Panel Mount
Bezel	Black	Black
Power Supply	24VDC Input	12VDC Power Adaptor

Item	ADM-1812AP-A01-Z04-VHB	ADM-1812AP-A01-Z05-VHB
LCD Display	VHB 12.1" / 1024 x 768	VHB 12.1" / 1024 x 768
Touch Screen	No Touch	No Touch
Mounting	Panel Mount	Panel Mount
Bezel	Stainless Steel	Stainless Steel
Power Supply	24VDC Input	12VDC Power Adaptor



ADM-1815AP-VHB

Panel Mount 15-inch 1000 nits Very High Bright Sunlight Readable LCD Display Monitor

Features

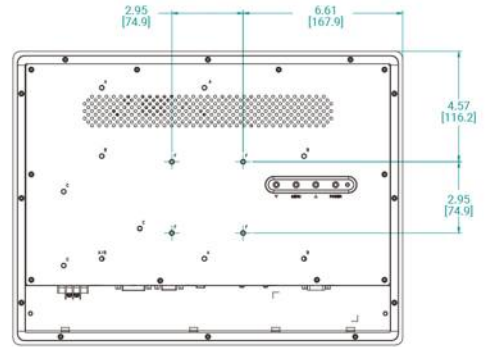
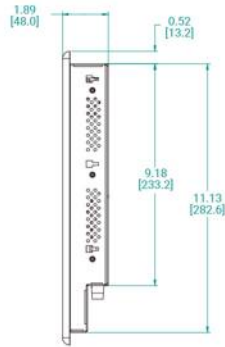
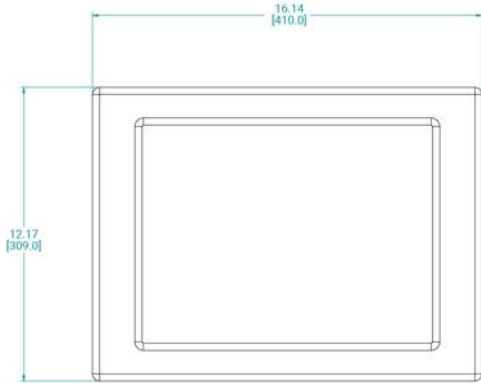
- 15-inch LCD Display, 1024 x 768 resolutions
- 1000 nits Very High Bright Sunlight Readable
- 5-Wire Resistive Touch Screen or Tempered Glass
- RS-232, USB Touch Interface
- Powder Coated Aluminum or Stainless-Steel Bezel
- Bezel meets IP65 / NEMA 4X requirements
- VGA, DVI Input
- 24VDC Operating Voltage option

Specifications

Model Name	ADM-1815AP-VHB
LCD Display	
Display Size (Diagonal)	15"
Max Resolution	1024 x 768
Backlight Lifetime (Hours)	50,000 hours
Visual Characteristics	
Colors	16.7 million
Aspect Ratio	4:3
Viewing Angle (V/H)	140° / 160°
Contrast Ratio	700:1
Brightness	1000 nits
Input Interface	
VGA	Yes
DVI	Yes
HDMI	N/A
Display Port	N/A
CVBS	N/A
YPbPr	N/A
Touchscreen	
Technology	5-Wire Resistive
Interface	RS-232, USB
Driver	WinXP, Win 7, Win10
Front Bezel	
NEMA 4	Black Powder Coated
NEMA 4X	Stainless Steel (Optional)
Power/Thermal Specs	
Power Requirement (Max)	12VDC / 1.50A, 24VDC / 0.75A
Power Consumption (Max)	18 W
Recommended Power Supply	26W
Heat Dissipation	62 BTU/hr
Physical Information	
Mounting	Panel Mount
Net Weight	11 lbs / 4.98 kg
Dimension (W x H x D)	14.51 x 11.80 x 1.89(*3.22) inch 368.6 x 299.8 x 48.0(*81.9) mm (*depth including power adaptor)
Recommended Cutout Dimension (WxH)	13.76 x 11.13 inch 349.5 x 282.7 mm
Environmental	
Operating Temperature	0~35°C (32~95°F)
Storage Temperature	-20~60°C (-4~140°F)
Humidity	5% to 95% (non-condensing)
Rating	Bezel Meets NEMA 4 / NEMA 4X requirements
Certification	N/A

Dimension Drawing

Model Name: ADM-1815AP-VHB
Size Unit: inch(mm)



Ordering Information

Item	ADM-1815AP-000-VHB	ADM-1815AP-001-VHB
LCD Display	VHB 15" / 1024 x 768	VHB 15" / 1024 x 768
Touch Screen	5-Wire Resistive	5-Wire Resistive
Mounting	Panel Mount	Panel Mount
Enclosure	Black	Black
Power Supply	24VDC Input	12VDC Power Adaptor

Item	ADM-1815AP-004-VHB	ADM-1815AP-005-VHB
LCD Display	VHB 15" / 1024 x 768	VHB 15" / 1024 x 768
Touch Screen	5-Wire Resistive	5-Wire Resistive
Mounting	Panel Mount	Panel Mount
Enclosure	Stainless Steel	Stainless Steel
Power Supply	24VDC Input	12VDC Power Adaptor

Item	ADM-1815AP-Z00-VHB	ADM-1815AP-Z01-VHB
LCD Display	VHB 15" / 1024 x 768	VHB 15" / 1024 x 768
Touch Screen	No Touch	No Touch
Mounting	Panel Mount	Panel Mount
Enclosure	Black	Black
Power Supply	24VDC Input	12VDC Power Adaptor

Item	ADM-1815AP-Z04-VHB	ADM-1815AP-Z05-VHB
LCD Display	VHB 15" / 1024 x 768	VHB 15" / 1024 x 768
Touch Screen	No Touch	No Touch
Mounting	Panel Mount	Panel Mount
Enclosure	Stainless Steel	Stainless Steel
Power Supply	24VDC Input	12VDC Power Adaptor



ADM-1817AP-VHB

Panel Mount 17-inch 1000 nits Very High Bright Sunlight Readable LCD Display Monitor

Features

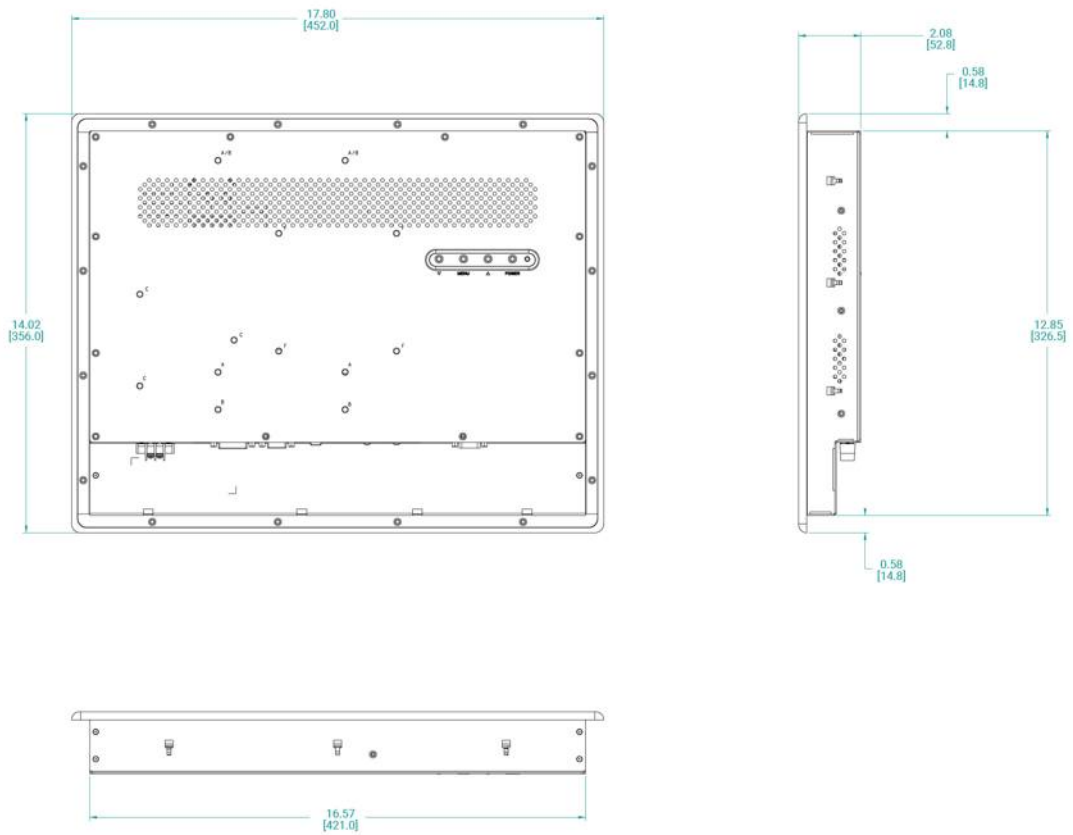
- 17-inch LCD Display, 1280 x 1024 resolutions
- 1000 nits Very High Bright Sunlight Readable
- 5-Wire Resistive Touch Screen or Tempered Glass
- RS-232, USB Touch Interface
- Powder Coated Aluminum or Stainless-Steel Bezel
- Bezel meets IP65 / NEMA 4X requirements
- VGA, DVI Input
- 24VDC Operating Voltage option

Specifications

Model Name	ADM-1817AP-VHB
LCD Display	
Display Size (Diagonal)	17"
Max Resolution	1280 x 1024
Backlight Lifetime (Hours)	50,000 hours
Visual Characteristics	
Colors	16.7 million
Aspect Ratio	5:4
Viewing Angle (V/H)	140° / 160°
Contrast Ratio	800:1
Brightness	1000 nits
Input Interface	
VGA	Yes
DVI	Yes
HDMI	N/A
Display Port	N/A
CVBS	N/A
YPbPr	N/A
Touchscreen	
Technology	5-Wire Resistive
Interface	RS-232, USB
Driver	WinXP, Win 7, Win10
Front Bezel	
NEMA 4	Black Powder Coated
NEMA 4X	Stainless Steel (Optional)
Power/Thermal Specs.	
Power Requirement (Max)	12VDC / 3.00A, 24VDC / 1.50A
Power Consumption (Max)	22W
Recommended Power Supply	36 W
Heat Dissipation	75 BTU/hr
Physical Information	
Mounting	Panel Mount
Net Weight	14 lbs / 6.35 kg
Dimension (W x H x D)	15.88 x 13.34 x 2.08(*3.42) inch 403.4 x 338.8 x 52.8(*86.9) mm (*depth including power adaptor)
Recommended Cutout Dimension (WxH)	15.05 x 12.51 inch 382.3 x 317.8 mm
Environmental	
Operating Temperature	0~35°C (32~95°F)
Storage Temperature	-20~60°C (-4~140°F)
Humidity	5% to 95% (non-condensing)
Rating	Bezel Meets NEMA 4 / NEMA 4X requirements
Certification	N/A

Dimension Drawing

Model Name: ADM-1817AP-VHB
Size Unit: inch(mm)



Ordering Information

Item	ADM-1817AP-000-VHB	ADM-1817AP-001-VHB
LCD Display	VHB 17" / 1280 x 1024	VHB 17" / 1280 x 1024
Touch Screen	5-Wire Resistive	5-Wire Resistive
Mounting	Panel Mount	Panel Mount
Enclosure	Black	Black
Power Supply	24VDC Input	12VDC Power Adaptor

Item	ADM-1817AP-004-VHB	ADM-1817AP-005-VHB
LCD Display	VHB 17" / 1280 x 1024	VHB 17" / 1280 x 1024
Touch Screen	5-Wire Resistive	5-Wire Resistive
Mounting	Panel Mount	Panel Mount
Enclosure	Stainless Steel	Stainless Steel
Power Supply	24VDC Input	12VDC Power Adaptor

Item	ADM-1817AP-Z00-VHB	ADM-1817AP-Z01-VHB
LCD Display	VHB 17" / 1280 x 1024	VHB 17" / 1280 x 1024
Touch Screen	No Touch	No Touch
Mounting	Panel Mount	Panel Mount
Enclosure	Black	Black
Power Supply	24VDC Input	12VDC Power Adaptor

Item	ADM-1817AP-Z04-VHB	ADM-1817AP-Z05-VHB
LCD Display	VHB 17" / 1280 x 1024	VHB 17" / 1280 x 1024
Touch Screen	No Touch	No Touch
Mounting	Panel Mount	Panel Mount
Enclosure	Stainless Steel	Stainless Steel
Power Supply	24VDC Input	12VDC Power Adaptor



ADM-1818AP-VHB

Panel Mount 18.5-inch 1000 nits Very High Bright Sunlight Readable LCD Display Monitor

Features

- 18.5-inch LCD Display, 1920 x 1080 resolutions
- 1000 nits Very High Bright Sunlight Readable
- 5-Wire Resistive Touch Screen or Tempered Glass
- RS-232, USB Touch Interface
- Powder Coated Aluminum or Stainless-Steel Bezel
- Bezel meets IP65 / NEMA 4X requirements
- VGA, DVI Input
- 24VDC Operating Voltage option

Specifications

Model Name	ADM-1818AP-VHB
LCD Display	
Display Size (Diagonal)	18.5"
Max Resolution	1920 x 1080
Backlight Lifetime (Hours)	50,000 hours
Visual Characteristics	
Colors	16.7 million
Aspect Ratio	16:9
Viewing Angle (V/H)	178° / 178°
Contrast Ratio	1000:1
Brightness	1000 nits
Input Interface	
VGA	Yes
DVI	Yes
LVDS	N/A
Display Port	N/A
CVBS	N/A
YPbPr	N/A
Touchscreen	
Technology	5-Wire Resistive
Interface	RS-232, USB
Driver	WinXP, Win 7, Win10
Front Bezel	
NEMA 4	Black Powder Coated
NEMA 4X	Stainless Steel (Optional)
Power/Thermal Specs	
Power Requirement (Max)	12VDC / 1.50A, 24VDC / 0.75A
Power Consumption (Max)	18 W
Recommended Power Supply	26W
Heat Dissipation	62 BTU/hr
Physical Information	
Mounting	Panel Mount
Net Weight	17.6 lbs / 8 kg
Dimension (W x H x D)	19.00 x 12.21 x 1.93 inch 482.6 x 310.1 x 49.0 mm
Recommended Cutout Dimension (WxH)	17.41 x 11.00 inch 442.2 x 279.4 mm
Environmental	
Operating Temperature	0~35°C (32~95°F)
Storage Temperature	-20~60°C (-4~140°F)
Humidity	5% to 95% (non-condensing)
Rating	Bezel Meets NEMA 4 / NEMA 4X requirements
Certification	N/A

Ordering Information

Item	ADM-1818AP-A01-000-VHB	ADM-1818AP-A01-001-VHB
LCD Display	VHB 18.5" / 1920 x 1080	VHB 18.5" / 1920 x 1080
Touch Screen	5-Wire Resistive	5-Wire Resistive
Mounting	Panel Mount	Panel Mount
Enclosure	Black	Black
Power Supply	24VDC Input	12VDC Power Adaptor

Item	ADM-1818AP-A01-004-VHB	ADM-1818AP-A01-005-VHB
LCD Display	VHB 18.5" / 1920 x 1080	VHB 18.5" / 1920 x 1080
Touch Screen	5-Wire Resistive	5-Wire Resistive
Mounting	Panel Mount	Panel Mount
Enclosure	Stainless Steel	Stainless Steel
Power Supply	24VDC Input	12VDC Power Adaptor

Item	ADM-1818AP-A01-Z00-VHB	ADM-1818AP-A01-Z01-VHB
LCD Display	VHB 18.5" / 1920 x 1080	VHB 18.5" / 1920 x 1080
Touch Screen	No Touch	No Touch
Mounting	Panel Mount	Panel Mount
Enclosure	Black	Black
Power Supply	24VDC Input	12VDC Power Adaptor

Item	ADM-1818AP-A01-Z04-VHB	ADM-1818AP-A01-Z05-VHB
LCD Display	VHB 18.5" / 1920 x 1080	VHB 18.5" / 1920 x 1080
Touch Screen	No Touch	No Touch
Mounting	Panel Mount	Panel Mount
Enclosure	Stainless Steel	Stainless Steel
Power Supply	24VDC Input	12VDC Power Adaptor



ADM-1819AP-VHB

Panel Mount 19-inch 1000 nits Very High Bright Sunlight Readable LCD Display Monitor

Features

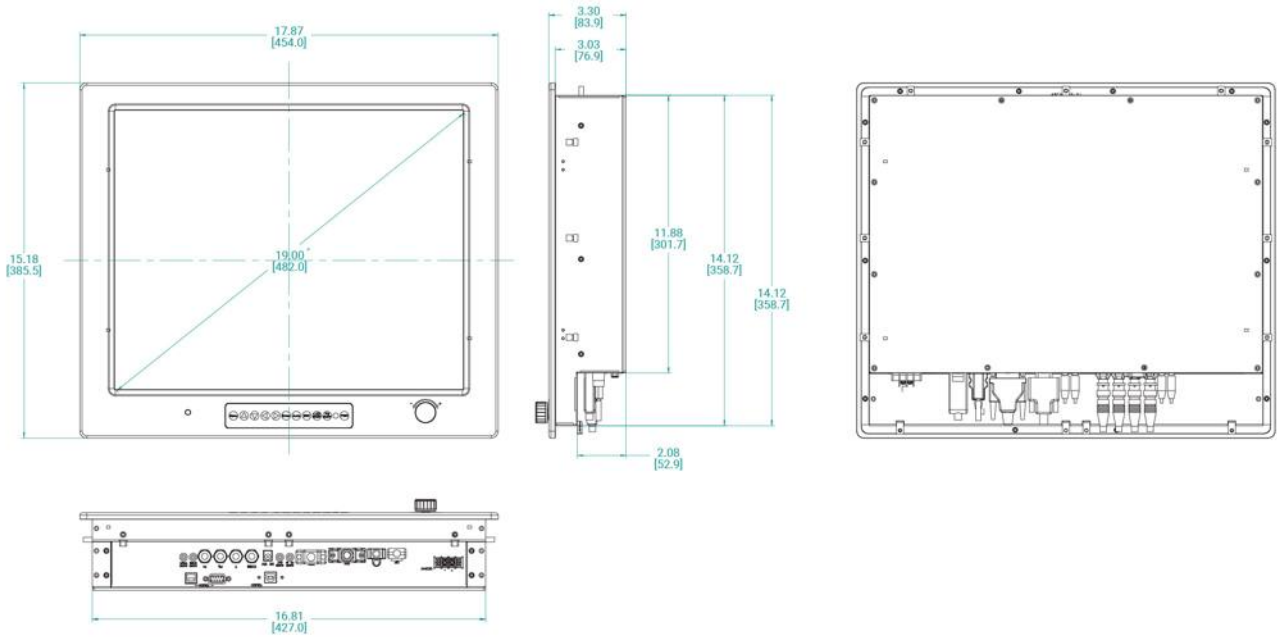
- 19-inch LCD Display, 1280 x 1024 resolutions
- 1000 nits Very High Bright Sunlight Readable
- 5-Wire Resistive Touch Screen or Tempered Glass
- RS-232, USB Touch Interface
- Powder Coated Aluminum or Stainless-Steel Bezel
- Bezel meets IP65 / NEMA 4X requirements
- VGA, DVI Input
- 24VDC Operating Voltage option

Specifications

Model Name	ADM-1819AP-VHB
LCD Display	
Display Size (Diagonal)	19"
Max Resolution	1280 x 1024
Backlight Lifetime (Hours)	50,000 hours
Visual Characteristics	
Colors	16 million
Aspect Ratio	5:4
Viewing Angle (V/H)	178° / 178°
Contrast Ratio	700:1
Brightness	1000 nits
Input Interface	
VGA	Yes
DVI	Yes
HDMI	N/A
Display Port	N/A
CVBS	N/A
YPbPr	N/A
Touchscreen	
Technology	5-Wire Resistive
Interface	RS-232, USB
Driver	WinXP, Win 7, Win10
Front Bezel	
NEMA 4	Black Powder Coated
NEMA 4X	Stainless Steel (Optional)
Power/Thermal Specs	
Power Requirement (Max)	12VDC / 3.00A, 24VDC / 1.50A
Power Consumption (Max)	22W
Recommended Power Supply	36 W
Heat Dissipation	75 BTU/hr
Physical Information	
Mounting	Panel Mount
Net Weight	17 lbs / 7.71 kg
Dimension (W x H x D)	17.80 x 14.60 x 2.39(*3.72) inch 452.1 x 370.8 x 60.7(*94.5) mm (*depth including power adaptor)
Recommended Cutout Dimension (WxH)	17.00 x 13.81 inch 432.0 x 351 mm
Environmental	
Operating Temperature	0~35°C (32~95°F)
Storage Temperature	-20~60°C (-4~140°F)
Humidity	5% to 95% (non-condensing)
Rating	Bezel Meets NEMA 4 / NEMA 4X requirements
Certification	N/A

Dimension Drawing

Model Name: ADM-1819AP-VHB
 Size Unit: inch(mm)



Ordering Information

Item	ADM-1819AP-000-VHB	ADM-1819AP-001-VHB
LCD Display	VHB 19" / 1280 x 1024	VHB 19" / 1280 x 1024
Touch Screen	5-Wire Resistive	5-Wire Resistive
Mounting	Panel Mount	Panel Mount
Enclosure	Black	Black
Power Supply	24VDC Input	12VDC Power Adaptor

Item	ADM-1819AP-004-VHB	ADM-1819AP-005-VHB
LCD Display	VHB 19" / 1280 x 1024	VHB 19" / 1280 x 1024
Touch Screen	5-Wire Resistive	5-Wire Resistive
Mounting	Panel Mount	Panel Mount
Enclosure	Stainless Steel	Stainless Steel
Power Supply	24VDC Input	12VDC Power Adaptor

Item	ADM-1819AP-Z00-VHB	ADM-1819AP-Z01-VHB
LCD Display	VHB 19" / 1280 x 1024	VHB 19" / 1280 x 1024
Touch Screen	No Touch	No Touch
Mounting	Panel Mount	Panel Mount
Enclosure	Black	Black
Power Supply	24VDC Input	12VDC Power Adaptor

Item	ADM-1819AP-Z04-VHB	ADM-1819AP-Z05-VHB
LCD Display	VHB 19" / 1280 x 1024	VHB 19" / 1280 x 1024
Touch Screen	No Touch	No Touch
Mounting	Panel Mount	Panel Mount
Enclosure	Stainless Steel	Stainless Steel
Power Supply	24VDC Input	12VDC Power Adaptor



ADM-1821AP-VHB

Panel Mount 21.5-inch 1000 nits Very High Bright Sunlight Readable LCD Display Monitor

Features

- 21.5-inch LCD Display, 1920 x 1080 resolutions
- 1000 nits Very High Bright Sunlight Readable
- 5-Wire Resistive Touch Screen or Tempered Glass
- RS-232, USB Touch Interface
- Powder Coated Aluminum or Stainless-Steel Bezel
- Bezel meets IP65 / NEMA 4X requirements
- VGA, DVI Input
- 24VDC Operating Voltage option

Specifications

Model Name	ADM-1821AP-VHB
LCD Display	
Display Size (Diagonal)	21.5"
Max Resolution	1920 x 1080
Backlight Lifetime (Hours)	50,000 hours
Visual Characteristics	
Colors	16.7 million
Aspect Ratio	16:9
Viewing Angle (V/H)	178° / 178°
Contrast Ratio	1000:1
Brightness	1000 nits
Input Interface	
VGA	Yes
DVI	Yes
HDMI	N/A
Display Port	N/A
CVBS	N/A
YPbPr	N/A
Touchscreen	
Technology	5-Wire Resistive
Interface	RS-232, USB
Driver	WinXP, Win 7, Win10
Front Bezel	
NEMA 4	Black Powder Coated
NEMA 4X	Stainless Steel (Optional)
Power/Thermal Specs	
Power Requirement (Max)	12VDC / 2.10A, 24VDC / 1.04A
Power Consumption (Max)	25 W
Recommended Power Supply	36 W
Heat Dissipation	85 BTU/hr
Physical Information	
Mounting	Panel Mount
Net Weight	20 lbs / 9.07 kg
Dimension (W x H x D)	20.98 x 12.99 x 2.00 inch 533.0 x 330.0 x 50.8 mm
Recommended Cutout Dimension (WxH)	19.92 x 12.35 inch 506.0 x 313.7 mm
Environmental	
Operating Temperature	0~35°C (32~95°F)
Storage Temperature	-20~60°C (-4~140°F)
Humidity	5% to 95% (non-condensing)
Rating	Bezel Meets NEMA 4 / NEMA 4X requirements
Certification	N/A

Ordering Information

Item	ADM-1821AP-000-VHB	ADM-1821AP-001-VHB
LCD Display	VHB 21" / 1920 x 1080	VHB 21" / 1920 x 1080
Touch Screen	5-Wire Resistive	5-Wire Resistive
Mounting	Panel Mount	Panel Mount
Enclosure	Black	Black
Power Supply	24VDC Input	12VDC Power Adaptor

Item	ADM-1821AP-004-VHB	ADM-1821AP-005-VHB
LCD Display	VHB 21" / 1920 x 1080	VHB 21" / 1920 x 1080
Touch Screen	5-Wire Resistive	5-Wire Resistive
Mounting	Panel Mount	Panel Mount
Enclosure	Stainless Steel	Stainless Steel
Power Supply	24VDC Input	12VDC Power Adaptor

Item	ADM-1821AP-Z00-VHB	ADM-1821AP-Z01-VHB
LCD Display	VHB 21" / 1920 x 1080	VHB 21" / 1920 x 1080
Touch Screen	No Touch	No Touch
Mounting	Panel Mount	Panel Mount
Enclosure	Black	Black
Power Supply	24VDC Input	12VDC Power Adaptor

Item	ADM-1821AP-Z04-VHB	ADM-1821AP-Z05-VHB
LCD Display	VHB 21" / 1920 x 1080	VHB 21" / 1920 x 1080
Touch Screen	No Touch	No Touch
Mounting	Panel Mount	Panel Mount
Enclosure	Stainless Steel	Stainless Steel
Power Supply	24VDC Input	12VDC Power Adaptor



ADM-1824AP-VHB

Panel Mount 24-inch 1000 nits Very High Bright Sunlight Readable LCD Display Monitor

Features

- 24-inch LCD Display, 1920 x 1080 resolutions
- 1000 nits Very High Bright Sunlight Readable
- 5-Wire Resistive Touch Screen or Tempered Glass
- RS-232, USB Touch Interface
- Powder Coated Aluminum or Stainless-Steel Bezel
- Bezel meets IP65 / NEMA 4X requirements
- VGA, DVI Input
- 24VDC Operating Voltage option

Specifications

Model Name	ADM-1824AP-VHB
LCD Display	
Display Size (Diagonal)	24"
Max Resolution	1920 x 1080
Backlight Lifetime (Hours)	50,000 hours
Visual Characteristics	
Colors	16.7 million
Aspect Ratio	16:9
Viewing Angle (V/H)	178° / 178°
Contrast Ratio	5000:1
Brightness	1000 nits
Input Interface	
VGA	Yes
DVI	Yes
HDMI	N/A
Display Port	N/A
CVBS	N/A
YPbPr	N/A
Touchscreen	
Technology	5-Wire Resistive
Interface	RS-232, USB
Driver	WinXP, Win 7, Win10
Front Bezel	
NEMA 4	Black Powder Coated
NEMA 4X	Stainless Steel (Optional)
Power/Thermal Specs.	
Power Requirement (Max)	12VDC / 3.00A, 24VDC / 1.50A
Power Consumption (Max)	35 W
Recommended Power Supply	50 W
Heat Dissipation	120 BTU/hr
Physical Information	
Mounting	Panel Mount
Net Weight	20 lbs / 9.07 kg
Dimension (W x H x D)	23.91 x 14.50 x 1.81 inch 607.3 x 368.3 x 46.1 mm
Recommended Cutout Dimension (WxH)	23.22 x 13.80 inch 589.8 x 350.5 mm
Environmental	
Operating Temperature	0~35°C (32~95°F)
Storage Temperature	-20~60°C (-4~140°F)
Humidity	5% to 95% (non-condensing)
Rating	Bezel Meets NEMA 4 / NEMA 4X requirements
Certification	N/A

Ordering Information

Item	ADM-1824AP-000-VHB	ADM-1824AP-001-VHB
LCD Display	VHB 24" / 1920 X 1080	VHB 24" / 1920 X 1080
Touch Screen	5-Wire Resistive	5-Wire Resistive
Mounting	Panel Mount	Panel Mount
Enclosure	Black	Black
Power Supply	24VDC Input	12VDC Power Adaptor

Item	ADM-1824AP-004-VHB	ADM-1824AP-005-VHB
LCD Display	VHB 24" / 1920 X 1080	VHB 24" / 1920 X 1080
Touch Screen	5-Wire Resistive	5-Wire Resistive
Mounting	Panel Mount	Panel Mount
Enclosure	Stainless Steel	Stainless Steel
Power Supply	24VDC Input	12VDC Power Adaptor

Item	ADM-1824AP-Z00-VHB	ADM-1824AP-Z01-VHB
LCD Display	VHB 24" / 1920 X 1080	VHB 24" / 1920 X 1080
Touch Screen	No Touch	No Touch
Mounting	Panel Mount	Panel Mount
Enclosure	Black	Black
Power Supply	24VDC Input	12VDC Power Adaptor

Item	ADM-1824AP-Z04-VHB	ADM-1824AP-Z05-VHB
LCD Display	VHB 24" / 1920 X 1080	VHB 24" / 1920 X 1080
Touch Screen	No Touch	No Touch
Mounting	Panel Mount	Panel Mount
Enclosure	Stainless Steel	Stainless Steel
Power Supply	24VDC Input	12VDC Power Adaptor



ADM-1917AP-VHB

Panel Mount 17-inch 1000 nits Very High Bright Sunlight Readable LCD Display Monitor



Features

- 17-inch LCD Display, 1280 x 1024 resolutions
- 1000 nits Very High Bright Sunlight Readable
- 5-Wire Resistive Touch Screen
- Anodized Aluminum or Stainless-Steel Bezel
- Bezel meets IP65 / NEMA 4X requirements
- RS-232, USB Touch Interface.
- VGA, DVI Input
- AC 100~240VAC to 12VDC Power Adaptor option
- 24VDC Operating Voltage option

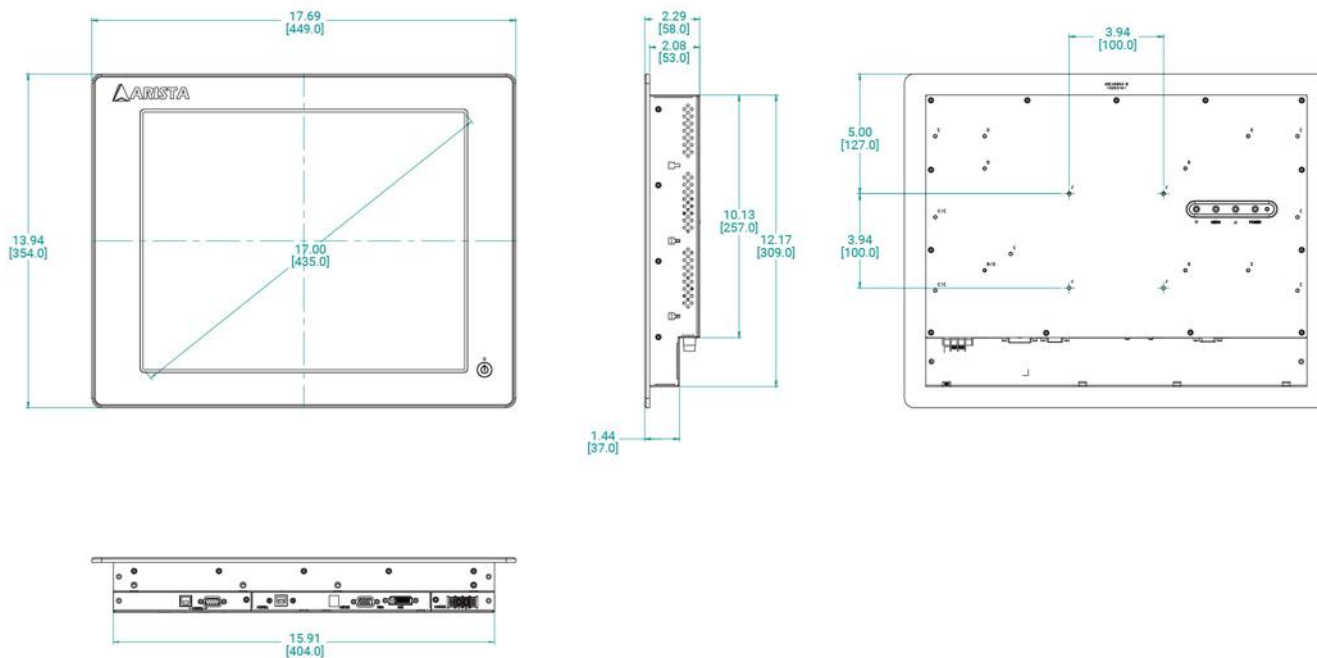
Specifications

Model Name	ADM-1917AP-VHB
LCD Display	
Display Size (Diagonal)	17.0 inch
Resolution	1280 x 1024
Backlight Lifetime (Hours)	50,000
Visual Characteristics	
Colors	16.7 millions
Aspect Ratio	5:4
Viewing Angle (V/H)	140° / 160°
Response Time (Typical)	12 ms
Pixel Pitch (mm)	0.264 x 0.264
Contrast Ratio	1000 : 1
Brightness	1000 nits (max)
Input Interface	
VGA	Yes
DVI	Yes
HDMI	N/A
Display Port	N/A
CVBS	N/A
YPbPr	N/A
Touch Screen	
Technology	5 Wire Resistive
Touch Rating	35 million touches
MTBF	490,000 hours
Interface	RS-232, USB
Driver	Win XP pro, Win XPe, Win 7 & up
Front Bezel	
NEMA 4	Aluminum (Optional)
NEMA 4x	Stainless Steel
Rack Mount Bezel	N/A
Power/Thermal Specs.	
Power Requirement (Max)	24VDC / 1.14A
Power Consumption (Max)	28 W
Recommended Power Supply	39 W
Heat Dissipation	94 BTU/hr
Physical Information	
Mounting	Panel Mount
Net Weight	17 Lbs / 7.7 Kg
Dimension (W x H x D)	17.69 x 13.94 x 2.29 inch 449.0 x 354.0 x 58.0 mm
Recommended Cutout Dimension (WxH)	16.11 x 12.37 inch 409.0 x 314.0 mm
Environmental	
Operating Temperature	0~35°C (32~95°F)
Storage Temperature	-20~60°C (-4~140°F)
Relative Humidity	0~95%
IP/NEMA Rating	Bezel meets NEMA 4/4X requirement
Certification	UL 508

Dimension Drawing

Model Name: ADM-1917AP-VHB

Size Unit: inch(mm)



Ordering Information

Item	ADM-1917AP-H00-VHB	ADM-1917AP-H01-VHB
LCD Display	VHB 17" / 1280 x 1024	VHB 17" / 1280 x 1024
Touch Screen	5-Wire Resistive	5-Wire Resistive
Mounting	Panel Mount	Panel Mount
Enclosure	Black	Black
Power Supply	24VDC Input	12VDC Power Adaptor

Item	ADM-1917AP-H04-VHB	ADM-1917AP-H05-VHB
LCD Display	VHB 17" / 1280 x 1024	VHB 17" / 1280 x 1024
Touch Screen	5-Wire Resistive	5-Wire Resistive
Mounting	Panel Mount	Panel Mount
Enclosure	Stainless Steel	Stainless Steel
Power Supply	24VDC Input	12VDC Power Adaptor



ADM-1919AP-VHB

Panel Mount 19-inch 1000 nits Very High Bright Sunlight Readable LCD Display Monitor



Features

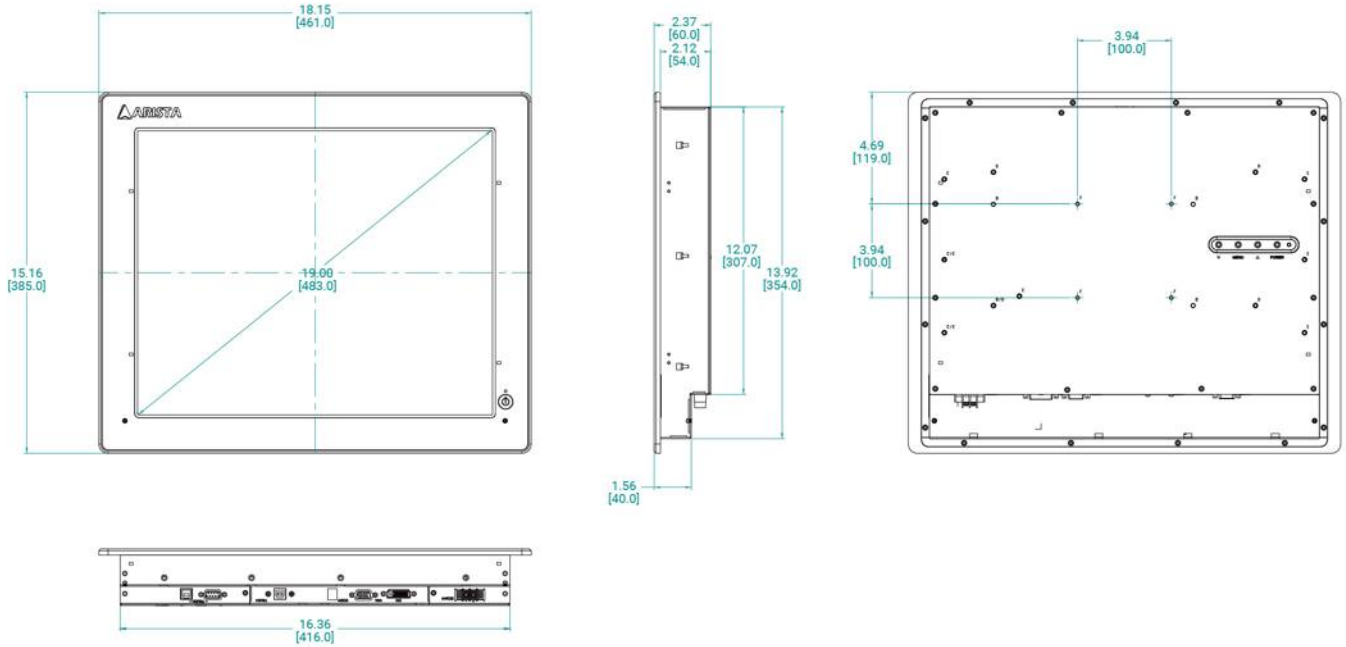
- 19-inch LCD Display, 1280 x 1024 resolutions
- 1000 nits Very High Bright Sunlight Readable
- 5-Wire Resistive Touch Screen or Tempered Glass
- Anodized Aluminum or Stainless-Steel Bezel
- Bezel meets IP65 / NEMA 4X requirements
- RS-232, USB Touch Interface.
- VGA, DVI Input
- AC 100~240VAC to 12VDC Power Adaptor option
- 24VDC Operating Voltage option

Specifications

Model Name	ADM-1919AP-VHB
LCD Display	
Display Size (Diagonal)	19.0 inch
Resolution	1280 x 1024
Backlight Lifetime (Hours)	50,000
Visual Characteristics	
Colors	16.7 million
Aspect Ratio	5:4
Viewing Angle (V/H)	160° / 170°
Response Time (Typical)	5 ms
Pixel Pitch (mm)	0.294 x 0.294
Contrast Ratio	1000 : 1
Brightness	1000 nits
Input Interface	
VGA	Yes
DVI	Yes
HDMI	N/A
Display Port	N/A
CVBS	N/A
YPbPr	N/A
Touch Screen	
Technology	5 Wire Resistive
Touch Rating	35 million touches
MTBF	490,000 hours
Interface	RS-232, USB
Driver	Win XP pro, Win XPe, Win 7 & up
Front Bezel	
NEMA 4	Aluminum (Optional)
NEMA 4x	Stainless Steel
Rack Mount Bezel	N/A
Power/Thermal Specs.	
Power Requirement (Max)	24VDC / 1.55A
Power Consumption (Max)	38 W
Recommended Power Supply	53 W
Heat Dissipation	127 BTU/hr
Physical Information	
Mounting	Panel Mount
Net Weight	20 Lbs / 9.07 Kg
Dimension (W x H x D)	18.15 x 15.16 x 2.37 inch 461.0 x 385.0 x 60.0 mm
Recommended Cutout Dimension (WxH)	16.56 x 14.12 inch 421.0 x 359.0 mm
Environmental	
Operating Temperature	0~35°C (32~95°F)
Storage Temperature	-20~60°C (-4~140°F)
Relative Humidity	0~95%
IP/NEMA Rating	Bezel meets NEMA 4/4X requirement
Certification	UL 508

Dimension Drawing

Model Name: ADM-1919AP-VHB
 Size Unit: inch(mm)



Ordering Information

Item	ADM-1919AP-H00-VHB	ADM-1919AP-H01-VHB
LCD Display	VHB 19" / 1280 x 1024	VHB 19" / 1280 x 1024
Touch Screen	5-Wire Resistive	5-Wire Resistive
Mounting	Panel Mount	Panel Mount
Enclosure	Black	Black
Power Supply	24VDC Input	12VDC Power Adaptor

Item	ADM-1919AP-H04-VHB	ADM-1919AP-H05-VHB
LCD Display	VHB 19" / 1280 x 1024	VHB 19" / 1280 x 1024
Touch Screen	5-Wire Resistive	5-Wire Resistive
Mounting	Panel Mount	Panel Mount
Enclosure	Stainless Steel	Stainless Steel
Power Supply	24VDC Input	12VDC Power Adaptor



ADM-1921AP-VHB

Panel Mount 21.5-inch 1000 nits Very High Bright Sunlight Readable LCD Display Monitor



Features

- 21.5-inch LCD Display, 1920 x 1080 resolutions
- 1000 nits Very High Bright Sunlight Readable
- 5-Wire Resistive Touch Screen or Tempered Glass
- Anodized Aluminum or Stainless-Steel Bezel
- Bezel meets IP65 / NEMA 4X requirements
- RS-232, USB Touch Interface.
- VGA, DVI Input
- AC 100~240VAC to 12VDC Power Adaptor option
- 24VDC Operating Voltage option

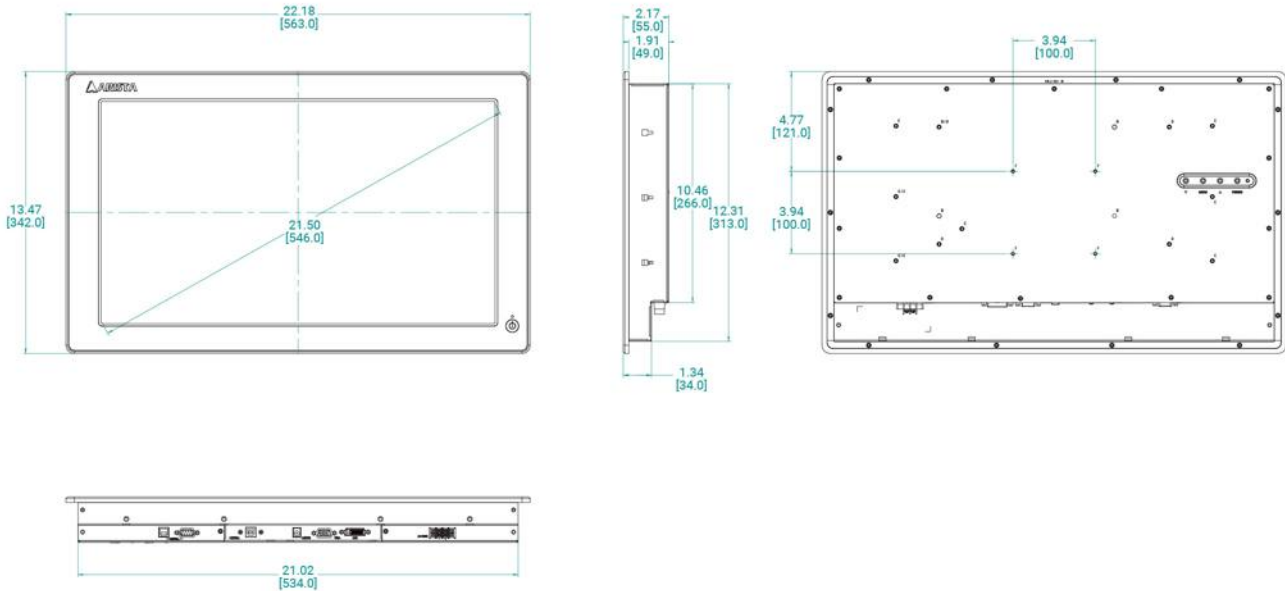
Specifications

Model Name	ADM-1921AP-VHB
LCD Display	
Display Size (Diagonal)	21.5 inch
Resolution	1920 x 1080
Backlight Lifetime (Hours)	50,000
Visual Characteristics	
Colors	16.7 millions
Aspect Ratio	16:9
Viewing Angle (V/H)	178° / 178°
Response Time (Typical)	16 ms
Pixel Pitch (mm)	0.248 x 0.248
Contrast Ratio	5000 : 1
Brightness	1000 nits (max)
Input Interface	
VGA	Yes
DVI	Yes
HDMI	N/A
Display Port	N/A
CVBS	N/A
YPbPr	N/A
Touch Screen	
Technology	5 Wire Resistive
Touch Rating	35 million touches
MTBF	490,000 hours
Interface	RS-232, USB
Driver	Win XP pro, Win XPe, Win 7 & up
Front Bezel	
NEMA 4	Aluminum (Optional)
NEMA 4x	Stainless Steel
Rack Mount Bezel	N/A
Power/Thermal Specs.	
Power Requirement (Max)	24VDC / 1.75A
Power Consumption (Max)	42 W
Recommended Power Supply	60 W
Heat Dissipation	144 BTU/hr
Physical Information	
Mounting	Panel Mount
Net Weight	20 Lbs / 9.07 Kg
Dimension (W x H x D)	22.18 x 13.47 x 2.17 inch 563.0 x 342.0 x 55.0 mm
Recommended Cutout Dimension (WxH)	21.22 x 12.51 inch 539.0 x 318.0 mm
Environmental	
Operating Temperature	0~35°C (32~95°F)
Storage Temperature	-20~60°C (-4~140°F)
Relative Humidity	0~95%
IP/NEMA Rating	Bezel meets NEMA 4/4X requirement
Certification	UL 508

Dimension Drawing

Model Name: ADM-1921AP-VHB

Size Unit: inch(mm)



Ordering Information

Item	ADM-1921AP-H00-VHB	ADM-1921AP-H01-VHB
LCD Display	VHB 21" / 1920 x 1080	VHB 21" / 1920 x 1080
Touch Screen	5-Wire Resistive	5-Wire Resistive
Mounting	Panel Mount	Panel Mount
Enclosure	Black	Black
Power Supply	24VDC Input	12VDC Power Adaptor

Item	ADM-1921AP-H04-VHB	ADM-1921AP-H05-VHB
LCD Display	VHB 21" / 1920 x 1080	VHB 21" / 1920 x 1080
Touch Screen	5-Wire Resistive	5-Wire Resistive
Mounting	Panel Mount	Panel Mount
Enclosure	Stainless Steel	Stainless Steel
Power Supply	24VDC Input	12VDC Power Adaptor



ADM-2115AP-VHB

Panel Mount 15-inch 1000 nits Very High Bright Sunlight Readable LCD Display Monitor

Features

- 15-inch LCD Display, 1024 x 768 resolutions
- 1000 nits Very High Bright Sunlight Readable
- Project Capacitive Touch Screen supports multi-touch
- Anodized Aluminum or Stainless-Steel Bezel
- Bezel meets IP65 / NEMA 4X requirements
- RS-232, USB Touch Interface.
- VGA, DVI Input
- AC 100~240VAC to 12VDC Power Adaptor option
- 24VDC Operating Voltage option

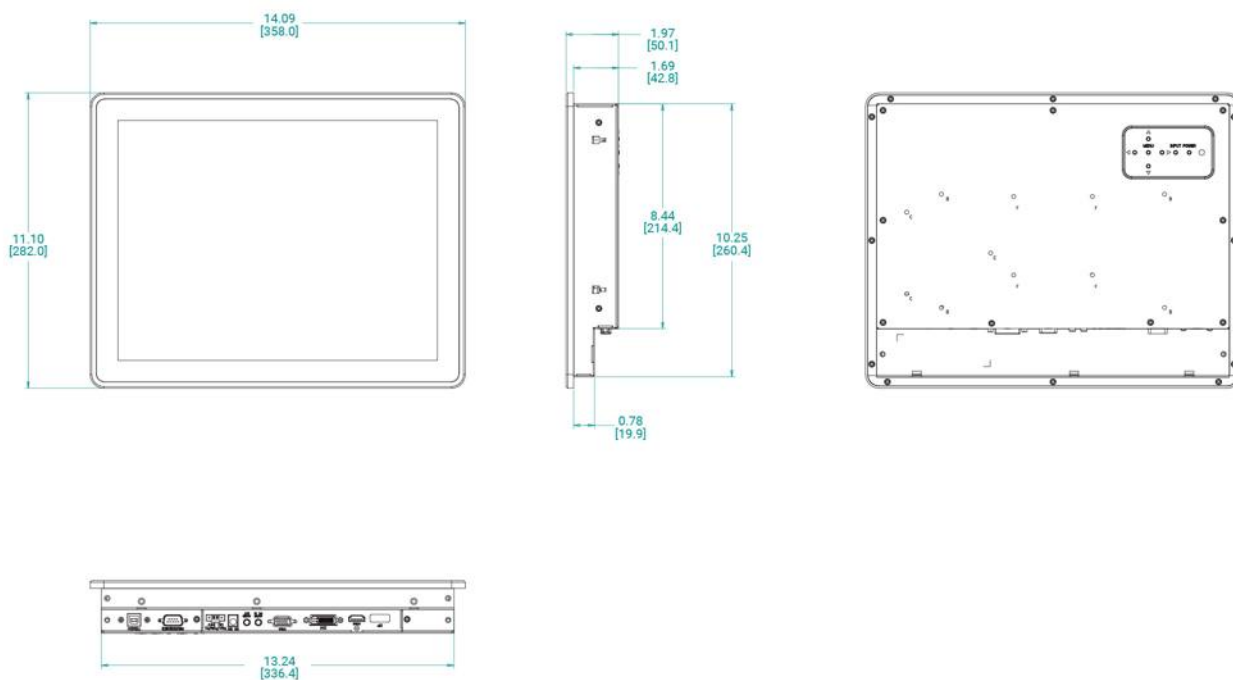
Specifications

Model Name	ADM-2115AP-VHB
LCD Display	
Display Size (Diagonal)	15 inch
Resolution	1024 x 768
Backlight Lifetime (Hours)	50,000
Visual Characteristics	
Colors	16.7 millions
Aspect ratio	4:3
Viewing angle (V/H)	140° / 160°
Response time (Typical)	8 ms
Pixel Pitch (mm)	0.264 x 0.264
Contrast ratio	700 : 1
Brightness	1000 nits
Input Interface	
VGA	Yes
DVI	Yes
HDMI	Yes
Display Port	N/A
CVBS	N/A
YPbPr	N/A
Touch Screen	
Technology	Projected Capacitive
Touch Rating	50 Million Touches
Interface	USB
Driver	Windows 7 & up
Front Bezel	
NEMA 4	Aluminum
NEMA 4x	Stainless Steel (Optional)
Power/Thermal Specs	
Power Requirement (Max)	24VDC / 0.88A
Power Consumption (Max)	21 W
Recommended Power Supply	30 W
Heat Dissipation	72 BTU/hr
Physical Information	
Mounting	Panel Mount
Net Weight	—
Dimension (W x H x D)	14.09 x 11.10 x 1.98 inch 358.0 x 282.0 x 50.4 mm
Recommended Cutout Dimension (WxH)	13.44 x 10.45 inch 341.4 x 265.4 mm
Environmental	
Operating Temperature	0 to 50°C (32 to 122°F)
Storage Temperature	-20 to 60°C (-4 to 140°F)
Relative Humidity	0~95%
IP/NEMA Rating	Bezel meets NEMA 4/4X requirement
Certification	N/A

Dimension Drawing

Model Name: ADM-2115AP-VHB

Size Unit: inch(mm)



Ordering Information

Item	ADM-2115AP-H00-VHB	ADM-2115AP-H01-VHB
LCD Display	VHB 15" / 1024 x 768	VHB 15" / 1024 x 768
Touch Screen	5-Wire Resistive	5-Wire Resistive
Mounting	Panel Mount	Panel Mount
Enclosure	Black	Black
Power Supply	24VDC Input	12VDC Power Adaptor

Item	ADM-2115AP-H04-VHB	ADM-2115AP-H05-VHB
LCD Display	VHB 15" / 1024 x 768	VHB 15" / 1024 x 768
Touch Screen	5-Wire Resistive	5-Wire Resistive
Mounting	Panel Mount	Panel Mount
Enclosure	Stainless Steel	Stainless Steel
Power Supply	24VDC Input	12VDC Power Adaptor



ADM-2119AP-VHB

Panel Mount 19-inch 1000 nits Very High Bright Sunlight Readable LCD Display Monitor

Features

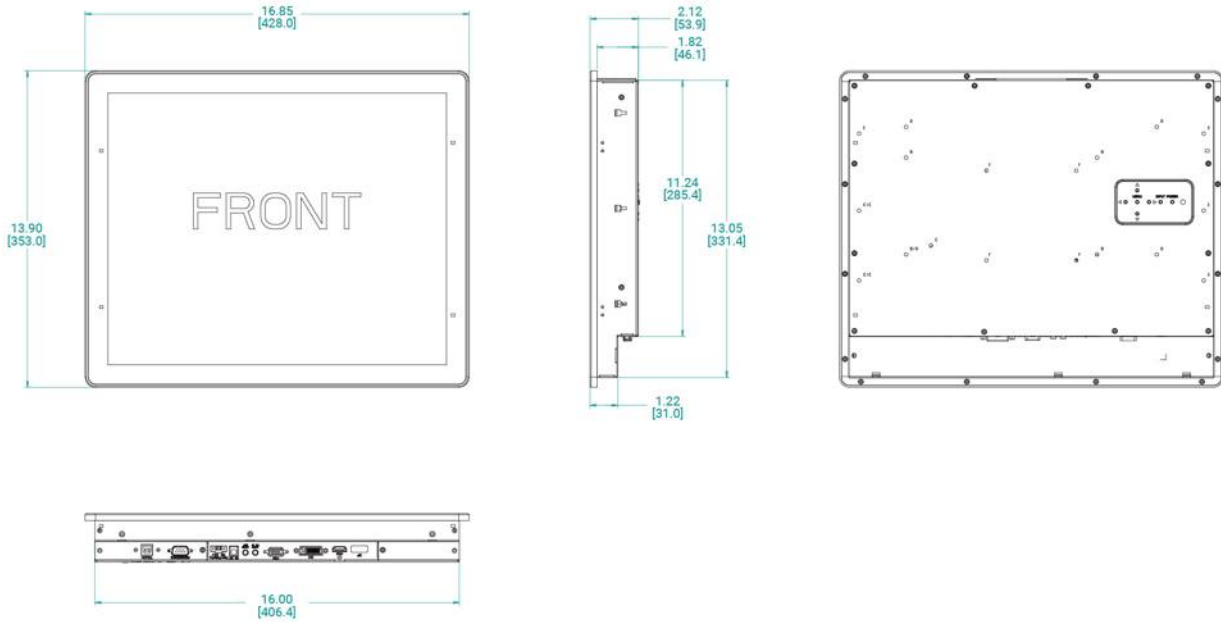
- 19-inch LCD Display, 1280 x 1024 resolutions
- 1000 nits Very High Bright Sunlight Readable
- Project Capacitive Touch Screen supports multi-touch
- Anodized Aluminum or Stainless-Steel Bezel
- Bezel meets IP65 / NEMA 4X requirements
- RS-232, USB Touch Interface.
- VGA, DVI Input
- 24VDC Operating Voltage option

Specifications

Model Name	ADM-2119AP-VHB
LCD Display	
Display Size (Diagonal)	19 inch
Resolution	1280 x 1024
Backlight Lifetime (Hours)	50,000
Visual Characteristics	
Colors	16.7 million
Aspect Ratio	5:4
Viewing Angle (V/H)	140° / 160°
Response Time (Typical)	5 ms
Pixel Pitch (mm)	0.294 x 0.294
Contrast Ratio	1000 : 1
Brightness	1000 nits
Input Interface	
VGA	Yes
DVI	Yes
HDMI	N/A
Display Port	N/A
CVBS	N/A
YPbPr	N/A
Touch Screen	
Technology	Projected Capacitive
Interface	USB
Driver	Win 7, Win10
Front Bezel	
NEMA 4	Aluminum
NEMA 4x	Stainless Steel (Optional)
Power/Thermal Specs	
Power Requirement (Max)	12VDC / 3.00A, 24VDC / 1.50A
Power Consumption (Max)	22W
Recommended Power Supply	36 W
Heat Dissipation	75 BTU/hr
Physical Information	
Mounting	Panel Mount
Net Weight	15 Lbs / 6.80 Kg
Dimension (W x H x D)	16.85 x 13.90 x 2.11 inch 428.0 x 353.0 x 53.6 mm
Recommended Cutout Dimension (WxH)	16.20 x 13.25 inch 411.4 x 336.4 mm
Environmental	
Operating Temperature	0~35°C (32~95°F)
Storage Temperature	-20 to 60°C (-4 to 140°F)
Relative Humidity	0~95%
IP/NEMA Rating	Bezel meets NEMA 4/4X requirement
Certification	N/A

Dimension Drawing

Model Name: ADM-2119AP-VHB
 Size Unit: inch(mm)



Ordering Information

Item	ADM-2119AP-H00-VHB	ADM-2119AP-H01-VHB
LCD Display	VHB 19" / 1280 x 1024	VHB 19" / 1280 x 1024
Touch Screen	5-Wire Resistive	5-Wire Resistive
Mounting	Panel Mount	Panel Mount
Enclosure	Black	Black
Power Supply	24VDC Input	12VDC Power Adaptor

Item	ADM-2119AP-H04-VHB	ADM-2119AP-H05-VHB
LCD Display	VHB 19" / 1280 x 1024	VHB 19" / 1280 x 1024
Touch Screen	5-Wire Resistive	5-Wire Resistive
Mounting	Panel Mount	Panel Mount
Enclosure	Stainless Steel	Stainless Steel
Power Supply	24VDC Input	12VDC Power Adaptor



ADM-2121AP-VHB

Panel Mount 21.5-inch 1000 nits Very High Bright Sunlight Readable LCD Display Monitor

Features

- 21.5-inch LCD Display, 1920 x 1080 resolutions
- 1000 nits Very High Bright Sunlight Readable
- Project Capacitive Touch Screen supports multi-touch
- Anodized Aluminum or Stainless-Steel Bezel
- Bezel meets IP65 / NEMA 4X requirements
- RS-232, USB Touch Interface
- VGA, DVI Input
- 24VDC Operating Voltage option

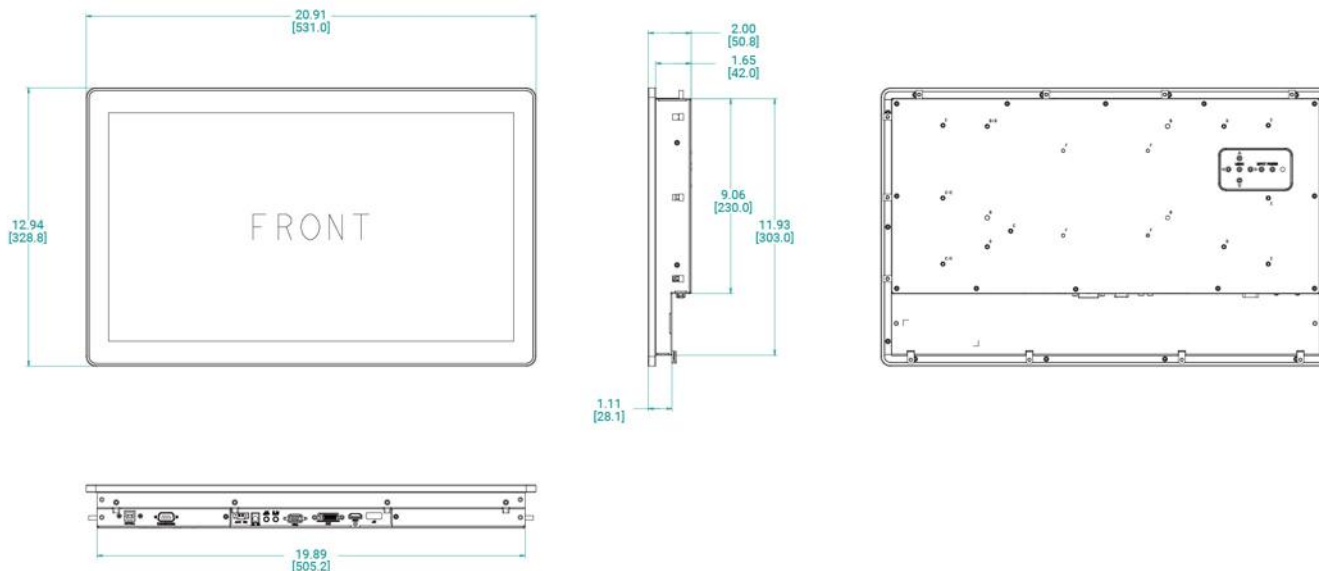
Specifications

Model Name	ADM-2121AP-VHB
LCD Display	
Display Size (Diagonal)	21.5 inch
Resolution	1920 x 1080
Backlight Lifetime (Hours)	50,000
Visual Characteristics	
Colors	16.7 million
Aspect ratio	16:9
Viewing angle (V/H)	178° / 178°
Response time (Typical)	14 ms
Pixel Pitch (mm)	0.248 x 0.248
Contrast ratio	1000 : 1
Brightness	1000 nits
Input Interface	
VGA	Yes
DVI	Yes
HDMI	N/A
Display Port	N/A
CVBS	Yes
YPbPr	Yes
Touch Screen	
Technology	Projected Capacitive
Interface	USB
Driver	Win 7, Win10
Front Bezel	
NEMA 4	Aluminum
NEMA 4x	Stainless Steel (Optional)
Power/Thermal Specs	
Power Requirement (Max)	12VDC / 2.10A, 24VDC / 1.04A
Power Consumption (Max)	25 W
Recommended Power Supply	36 W
Heat Dissipation	85 BTU/hr
Physical Information	
Mounting	Panel Mount
Net Weight	20 lbs / 9.07 kg
Dimension (W x H x D)	20.91 x 12.94 x 2.16 inch 531.0 x 328.8 x 54.9 mm
Recommended Cutout Dimension (WxH)	20.09 x 12.13 inch 510.2 x 308.0 mm
Environmental	
Operating Temperature	0~35°C (32~95°F)
Storage Temperature	-20 to 60°C (-4 to 140°F)
Relative Humidity	0~95%
IP/NEMA Rating	Bezel meets NEMA 4/4X requirement
Certification	N/A

Dimension Drawing

Model Name: ADM-2121AP-VHB

Size Unit: inch(mm)



Ordering Information

Item	ADM-2121AP-H00-VHB	ADM-2121AP-H01-VHB
LCD Display	VHB 21" / 1920 x 1080	VHB 21" / 1920 x 1080
Touch Screen	5-Wire Resistive	5-Wire Resistive
Mounting	Panel Mount	Panel Mount
Enclosure	Black	Black
Power Supply	24VDC Input	12VDC Power Adaptor

Item	ADM-2121AP-H04-VHB	ADM-2121AP-H05-VHB
LCD Display	VHB 21" / 1920 x 1080	VHB 21" / 1920 x 1080
Touch Screen	5-Wire Resistive	5-Wire Resistive
Mounting	Panel Mount	Panel Mount
Enclosure	Stainless Steel	Stainless Steel
Power Supply	24VDC Input	12VDC Power Adaptor



ADM-2124AP-VHB

Panel Mount 24-inch 1000 nits Very High Bright Sunlight Readable LCD Display Monitor

Features

- 24-inch LCD Display, 1920 x 1080 resolutions
- 1000 nits Very High Bright Sunlight Readable
- Project Capacitive Touch Screen supports multi-touch
- Anodized Aluminum or Stainless-Steel Bezel
- Bezel meets IP65 / NEMA 4X requirements
- RS-232, USB Touch Interface
- VGA, DVI Input
- 24VDC Operating Voltage option

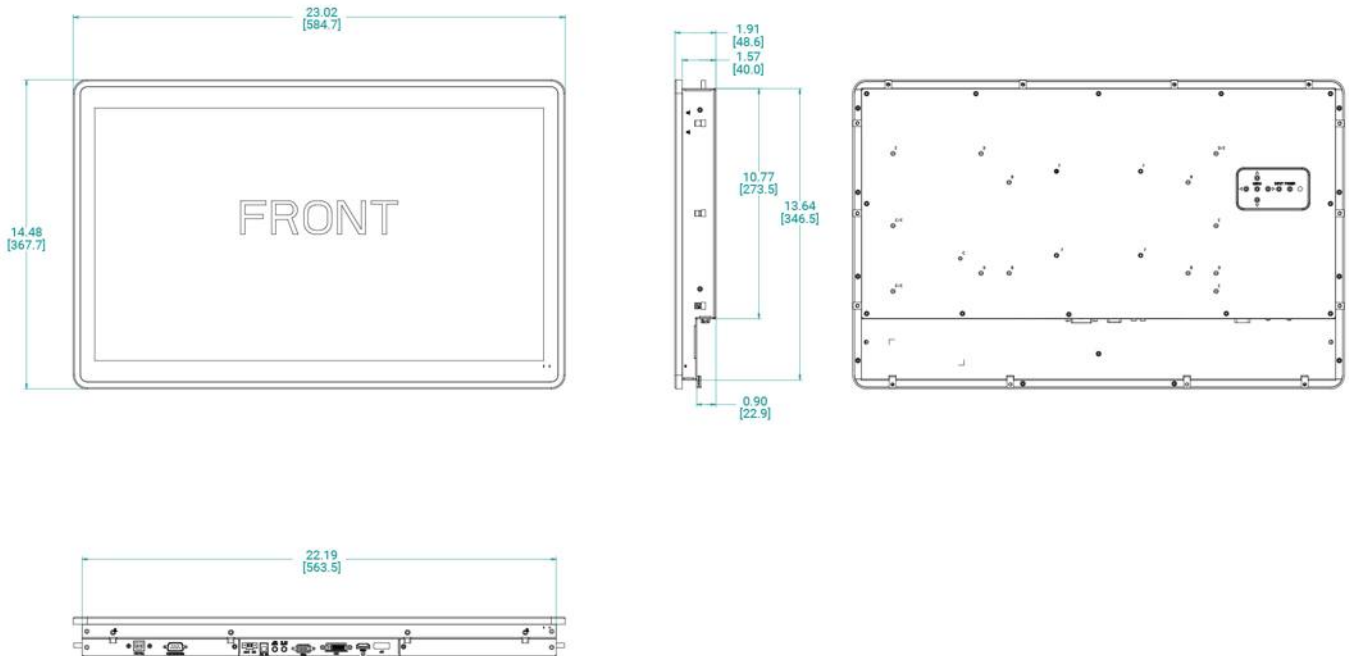
Specifications

Model Name	ADM-2124AP-VHB
LCD Display	
Display Size (Diagonal)	24 inch
Resolution	1920 x 1080
Backlight Lifetime (Hours)	50,000
Visual Characteristics	
Colors	16.7 million
Aspect ratio	16:9
Viewing angle (V/H)	178° / 178°
Contrast ratio	5000 : 1
Brightness	1000 nits
Input Interface	
VGA	Yes
DVI	Yes
HDMI	N/A
Display Port	N/A
CVBS	N/A
YPbPr	N/A
Touch Screen	
Technology	Projected Capacitive
Interface	USB
Driver	Win 7, Win10
Front Bezel	
NEMA 4	Aluminum
NEMA 4x	Stainless Steel (Optional)
Power/Thermal Specs	
Power Requirement (Max)	12VDC / 3.00A, 24VDC / 1.50A
Power Consumption (Max)	35 W
Recommended Power Supply	50 W
Heat Dissipation	120 BTU/hr
Physical Information	
Mounting	Panel Mount
Net Weight	20 lbs / 9.07 kg
Dimension (W x H x D)	22.98 x 14.44 x 2.05 inch 583.7 x 366.7 x 52.0 mm
Recommended Cutout Dimension (WxH)	22.38 x 13.83 inch 568.5 x 351.5 mm
Environmental	
Operating Temperature	0~35°C (32~95°F)
Storage Temperature	-20 to 60°C (-4 to 140°F)
Relative Humidity	0~95%
IP/NEMA Rating	Bezel meets NEMA 4/4X requirement
Certification	N/A

Dimension Drawing

Model Name: ADM-2124AP-VHB

Size Unit: inch(mm)



Ordering Information


Item	ADM-2124AP-H00-VHB	ADM-2124AP-H01-VHB
LCD Display	VHB 24" / 1920 X 1080	VHB 24" / 1920 X 1080
Touch Screen	5-Wire Resistive	5-Wire Resistive
Mounting	Panel Mount	Panel Mount
Enclosure	Black	Black
Power Supply	24VDC Input	12VDC Power Adaptor

Item	ADM-2124AP-H04-VHB	ADM-2124AP-H05-VHB
LCD Display	VHB 24" / 1920 X 1080	VHB 24" / 1920 X 1080
Touch Screen	5-Wire Resistive	5-Wire Resistive
Mounting	Panel Mount	Panel Mount
Enclosure	Stainless Steel	Stainless Steel
Power Supply	24VDC Input	12VDC Power Adaptor



ARISTA Corporation (USA)

 40675 Encyclopedia Circle, Fremont, CA 94538.

 Phone : +1-510-226-1800  eFax : 510-405-8437

 sales@goarista.com  www.aristaipc.com